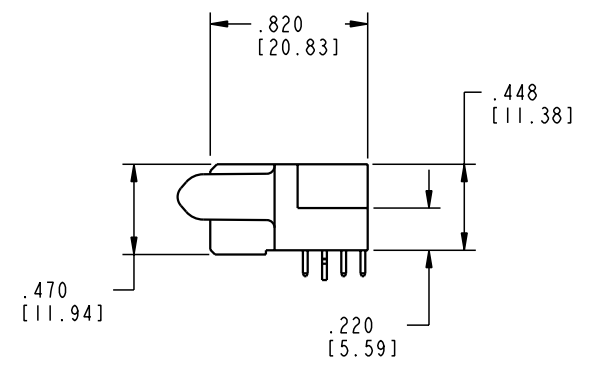
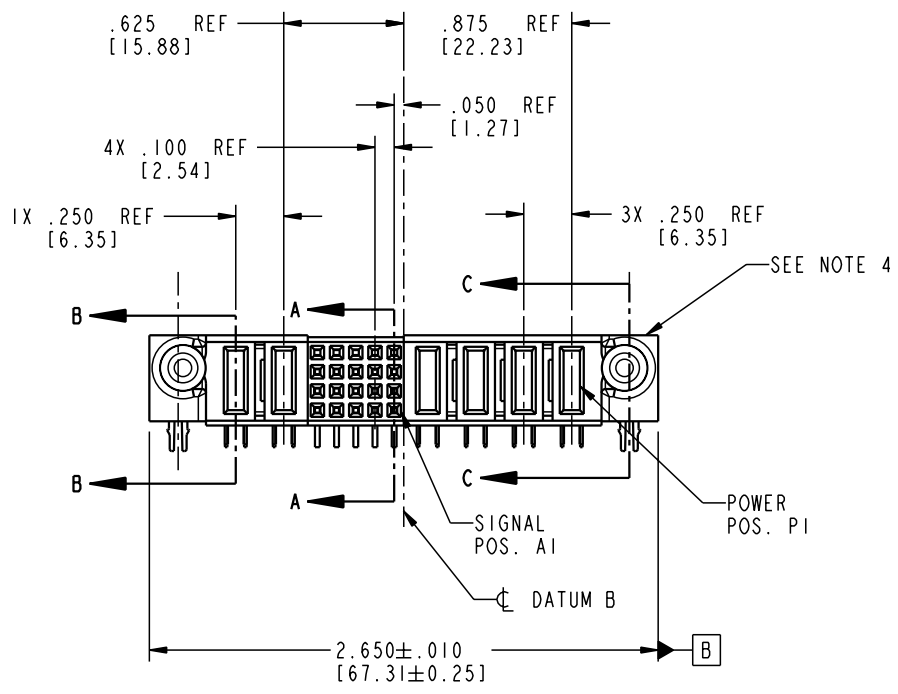
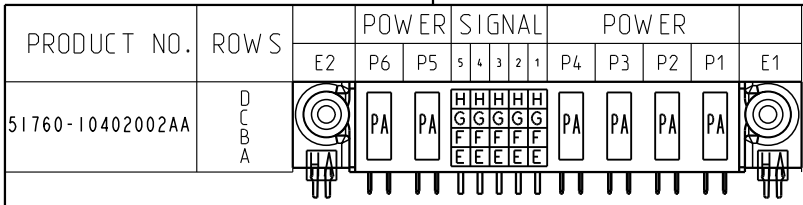


Tous droits strictement réservés. Reproduction ou communication o des liers interdite sous quelque forme que ce soit sans autorisation écrite du propriétaire. Propriete de c FCI. Droits de reproduction FCI.

All rights strictly reserved. Reproduction or issue to third parties in any form, whenever is not permitted without written authority from the proprietor. Property of FCI. Copyright FCI.



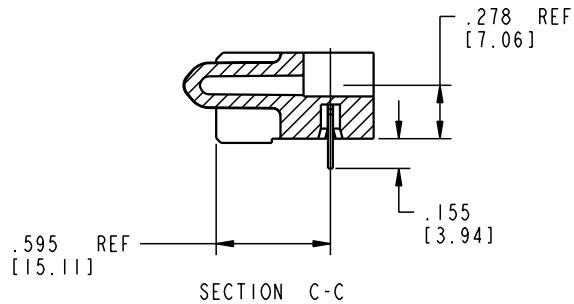
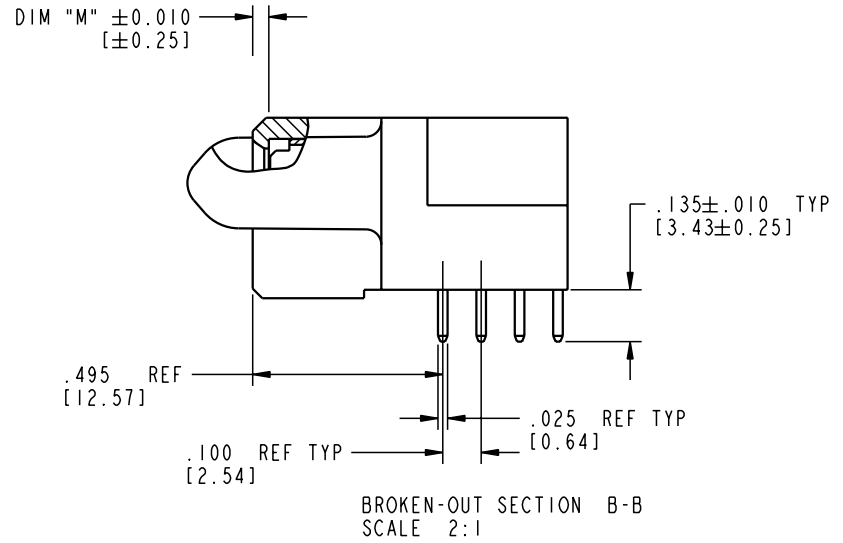
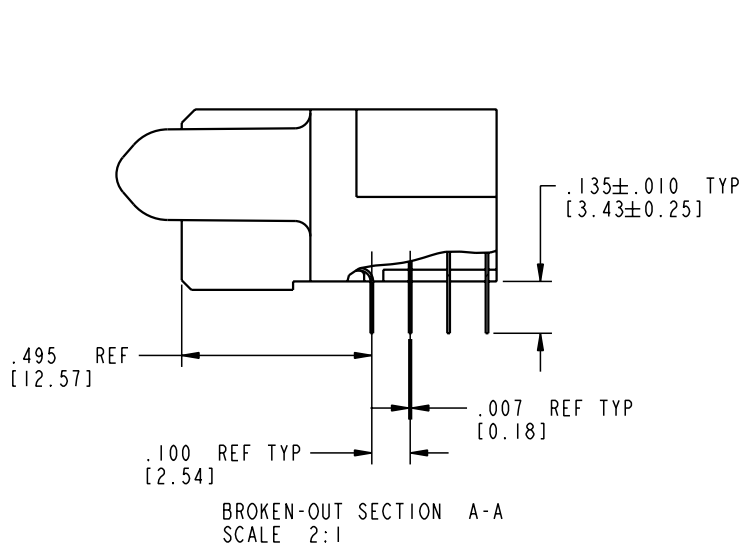
CODE	DIM "M" MATING LENGTH	CONTACT TYPE
E	N/A [N/A]	SIGNAL
F	N/A [N/A]	SIGNAL
G	N/A [N/A]	SIGNAL
H	N/A [N/A]	SIGNAL
PA	.042 [1.07]	POWER
HA	N/A [N/A]	HOLD-DOWN

mat'l code SEE NOTE 2				tolerances unless otherwise specified		CUSTOMER		 www.fciconnect.com	
ltr	ecn no.	dr	date	linear	.XX±.01/0.X±0.3	COPY			
A	V21518	TAB	09/23/02		.XXX±.005/0.XX±0.13	projection		title 4P + 20S +2P R/A SOLDER RECEPTACLE	
				angles	.XXX±.0020/0.XXX±0.051	 INCH/MM			
				dr	T. BRUNGARD 09/23/02	product family		code 213 sheet 1 of 4	
				engr	M. MOSTOLLER 09/23/02	size	PwrBlade		
				chr	M. MOSTOLLER 09/23/02	dwg no	A 51760-10402002AA		
				appd	M. MOSTOLLER 09/23/02	scale	1:1		
sheet index	revision sheet	A 1	A 2	A 3	A 4			cage code 22526	

Tous droits strictement réservés. Reproduction ou communication o des tiers interdite sous quelque forme que ce soit sans autorisation écrite du propriétaire. Propriété de c FCI. Droits de reproduction FCI.

All rights strictly reserved. Reproduction or issue to third parties in any form whatever is not permitted without written authority from the proprietor. Property of FCI. Copyright FCI.

PRODUCT NUMBER  
51760-10402002AA



mat'l code				SEE NOTE 2		tolerances unless otherwise specified		CUSTOMER		 www.fciconnect.com	
ltr	ecn no.	dr	date	linear	.XX±.01/0.X±0.3		COPY		 title 4P + 20S +2P R/A SOLDER RECEPTACLE		
A					angles	.XXX±.005/0.XX±0.13		INCH/MM		product family PwrBlade code 213	
						.XXX±.0020/0.XXX±0.051		scale 1:1		size dwg no 51760-10402002AA sheet 2 of 4	
sheet index		revision sheet		dr	T. BRUNGARD	09/23/02					
				enr	M. MOSTOLLER	09/23/02					
				chr	M. MOSTOLLER	09/23/02					
				appd	M. MOSTOLLER	09/23/02					

Pro/E

cage code 22526

PDM: Rev:A

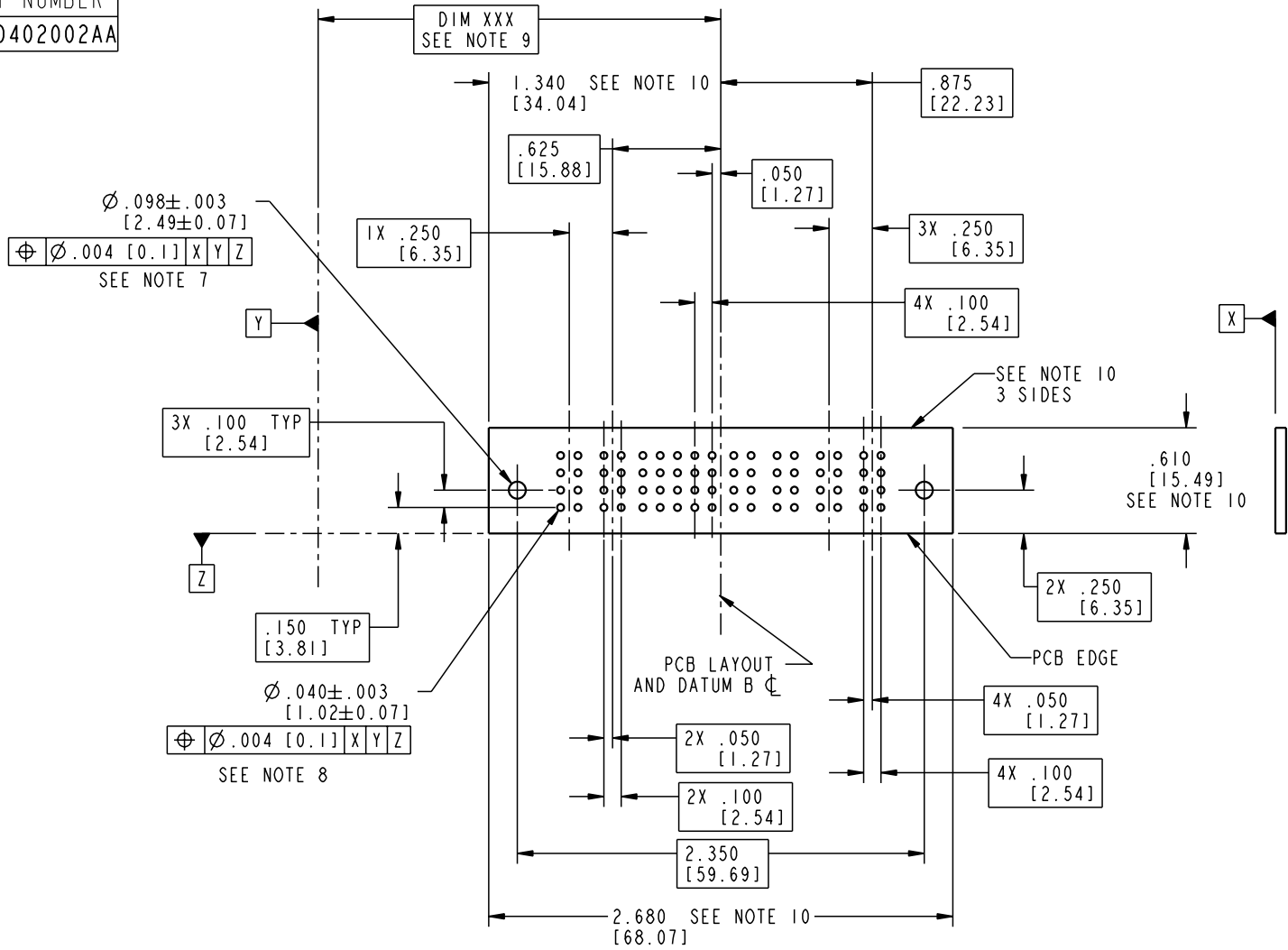
STATUS: Released

Printed: Aug 14, 2007

Tous droits strictement réservés. Reproduction ou communication o des tiers interdite sous quelque forme que ce soit sans autorisation écrite du propriétaire. Propriété de c FCI. Droits de reproduction FCI.

All rights strictly reserved. Reproduction or issue to third parties in any form whatever is not permitted without written authority from the proprietor. Property of FCI. Copyright FCI.

PRODUCT NUMBER  
51760-10402002AA



mat'l code		SEE NOTE 2		tolerances unless otherwise specified		CUSTOMER		 www.fciconnect.com	
ltr	ecn no.	dr	date	linear	.XX±.01/0.X±0.3	COPY		title	
A				projection	.XXX±.005/0.XX±0.13			4P + 20S +2P	
				angles	.XXX±.0020/0.XXX±0.051	INCH/MM		R/A SOLDER RECEPTACLE	
		dr	T. BRUNGARD	09/23/02	scale		product family		code
		enr	M. MOSTOLLER	09/23/02	1:1		PwrBlade		213
		chr	M. MOSTOLLER	09/23/02			size		sheet
		appd	M. MOSTOLLER	09/23/02			A 51760-10402002AA		3 of 4
sheet index	revision sheet								

Pro/E 3 cage code 22526 4

Tous droits strictement réservés. Reproduction ou communication o des tiers interdite sous quelque forme que ce soit sans autorisation écrite du propriétaire. Propriété de c FCI. Droits de reproduction FCI.

**A**  
**FCI**

All rights strictly reserved. Reproduction or issue to third parties in any form whatever is not permitted without written authority from the proprietor. Property of FCI. Copyright FCI.

**B**

PRODUCT NUMBER  
51760-10402002AA

NOTES:

1. DIMENSIONS AND TOLERANCES ARE IN ACCORDANCE WITH ASME Y14.5M, 1994 UNLESS OTHERWISE SPECIFIED.

CONNECTOR NOTES:

- 2. HOUSING MATERIAL: UL 94 V-0 GLASS FILLED  
HIGH-TEMP THERMOPLASTIC  
POWER CONTACT MATERIAL: COPPER ALLOY  
SIGNAL PIN MATERIAL: COPPER ALLOY
- 3. PLATING:  
SIGNAL PINS: 30u"/0.76um Au OVER 50u"/1.27um Ni  
POWER CONTACTS: 50u"/1.27um Ni UNDER ALL  
WITH 30u"/0.76um Au ON CONTACT AREA  
AND SnPb ON PCB INTERFACE
- 4. MANUFACTURER'S NAME, P/N, AND DATE CODE TO APPEAR ON THIS SURFACE.
- 5. PRODUCT SPECIFICATION GS-12-149.  
APPLICATION SPECIFICATION BUS-20-067.

PCB NOTES:

- 6. ALL HOLE DIAMETERS ARE FINISHED HOLE SIZE.
- 7. MOUNTING HOLES, WHERE APPLICABLE, ARE UNPLATED.
- 8.  $\varnothing .0453 \pm .0010$  [1.151 $\pm$ 0.025] DRILLED HOLES PLATED WITH .0003 [0.008] MIN SnPb OVER .001 [0.03] TO .003 [0.08] Cu PLATING TO ACHIEVE  $\varnothing .040 \pm .003$  [1.02 $\pm$ .07] HOLE.
- 9. "DIM XXX" TO BE DETERMINED BY THE CUSTOMER.
- 10. CONNECTOR KEEP-OUT ZONE.

mat'l code		SEE NOTE 2		tolerances unless otherwise specified		CUSTOMER		<b>A</b> <b>FCI</b> www.fciconnect.com	
ltr	ecr no.	dr	date	linear	.XX $\pm$ .01/0.X $\pm$ 0.3	COPY		title	
A				linear	.XXX $\pm$ .005/0.XX $\pm$ 0.13	projection		4P + 20S + 2P	
				angles	.XXX $\pm$ .0020/0.XXX $\pm$ 0.051			R/A SOLDER RECEPTACLE	
				dr	T. BRUNGARD 09/23/02	INCH/MM		product family	
				enr	M. MOSTOLLER 09/23/02	scale		PwrBlade	
				chr	M. MOSTOLLER 09/23/02	1:1		code	
				appd	M. MOSTOLLER 09/23/02			213	
sheet index		revision sheet						sheet	
								4 of 4	

**A**

**B**

1 | 2

3 |

4

1 | 2

Pro/E

3 |

cage code 22526

4

**PDM: Rev:A**

STATUS: **Released**

Printed: Aug 14, 2007